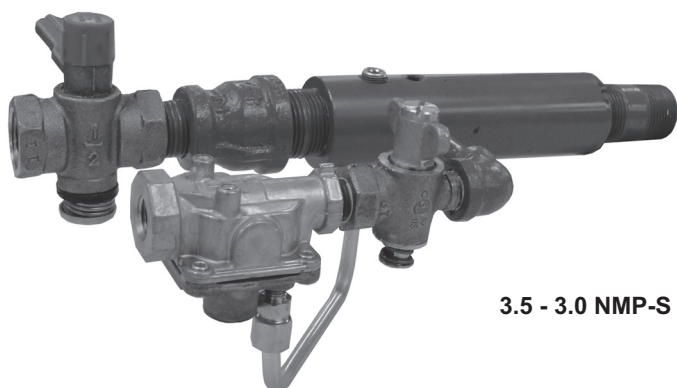
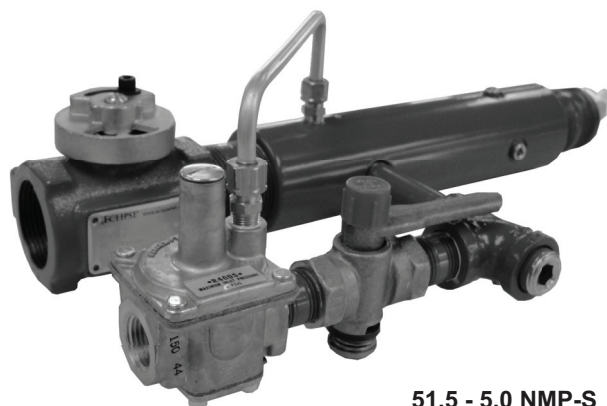


Eclipse Nozzle Mixing Pilots

Series NMP-S



3.5 - 3.0 NMP-S



51.5 - 5.0 NMP-S

Eclipse Nozzle Mixing Pilots are designed to reliably ignite all types of gas, oil or combination gas/oil burners. The 3.5 Series NMP-S pilots will ignite burners with inputs up to 3,000,000 Btu/h. The 51.5 Series pilots, depending on the outlet size selected, will ignite burners rated up to 20,000,000 Btu/h. NMP-S pilots feature easy ignition and extremely stable operation with air/gas ratios ranging from 50% fuel rich to over 600% excess air. Performance under varying back pressures or drafts is excellent. The wide operational range of these pilots simplifies adjustment for maximum signal strength from flame monitoring devices. Their low capacity capabilities can help improve turndown on small capacity burners.

Nozzle mixing pilots are available in two main body sizes. The 3.5 Series NMP-S pilots have a 1/2" air inlet and 1/4"

gas inlet. They can be ordered with a 3/8", 1/2" or 3/4" threaded outlet. Maximum capacity of all 3.5 Series NMP-S pilots is 25,000 Btu/h. The 51.5 Series NMP-S pilots have a 1-1/4" air inlet and 1/2" gas inlet. If ordered with a 3/4" threaded outlet, the 51.5 NMP-S pilot has a maximum capacity of 65,000 Btu/h. With a 1" threaded outlet, the 51.5 pilot capacity is 90,000 Btu/h while a 1-1/4" threaded outlet provides 150,000 Btu/h.

All Eclipse NMP-S pilot assemblies are completely packaged and include: burner body; cross loaded gas pressure regulator; 10mm spark plug; adjustable orifice manual shut-off gas cock and adjustable air control valve.

Maximum gas inlet pressure for all sizes is 1/2 psig.